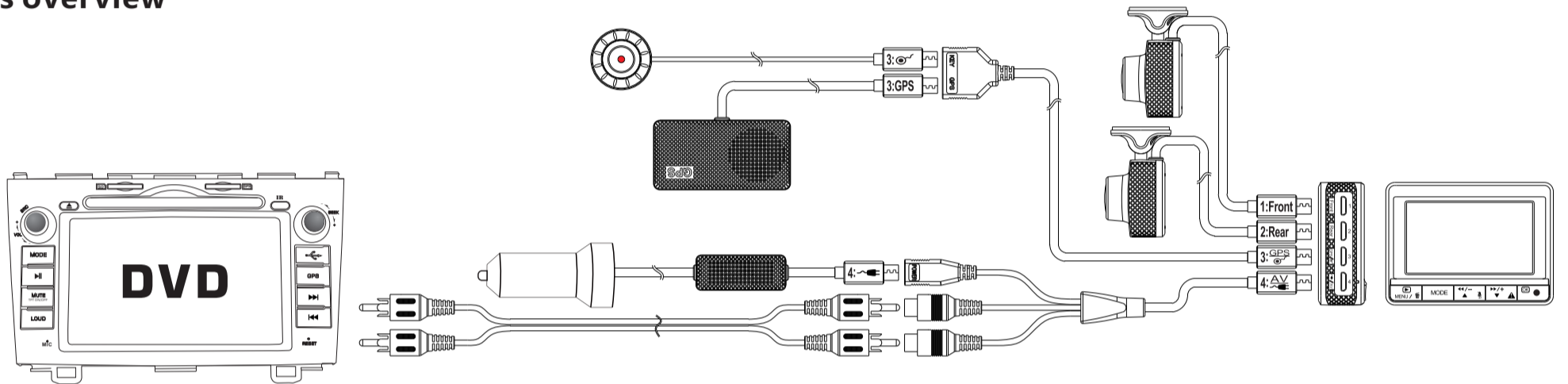
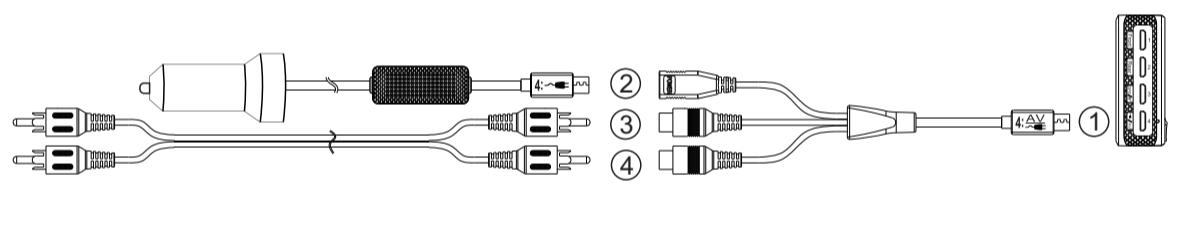


**Cables overview**



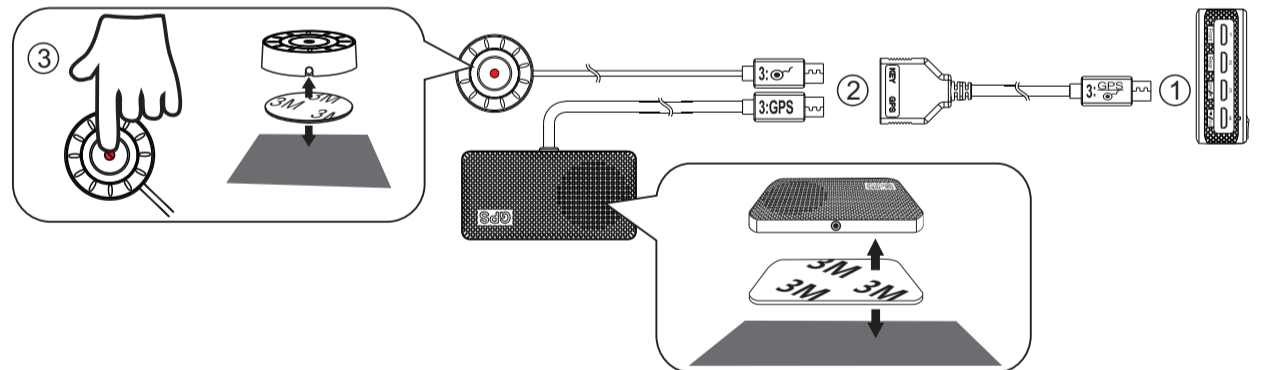
**E Connect car DVD**

- ① Connect port 4 on DVR
- ② Connect adaptor
- ③ Connect car video
- ④ Connect car audio



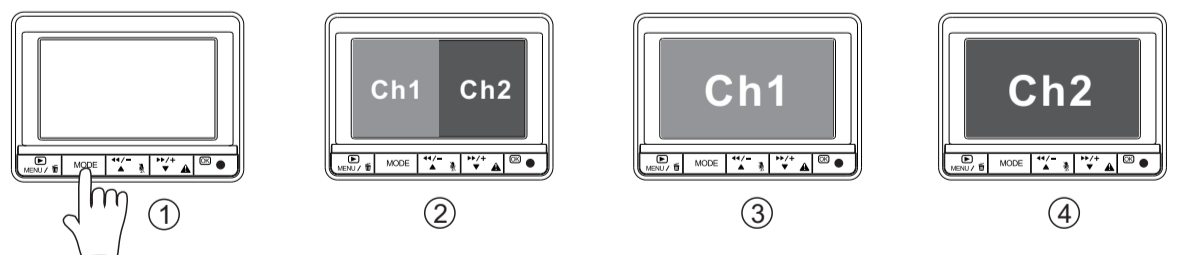
**F How to use wired control and GPS**

- ① Use USB splitter and connect to port 3 on DVR
- ② Connect GPS and wired control
- ③ Operations of wired control :
  - A. Hold for 3 seconds start recording, red LED will be on all the time.
  - B. Press to protect file.
  - C. Hold again 3 seconds to stop recording.



**G How to change views?**

- ① Press [Mode] button in preview or recording mode.
- ② 2 channel mode
- ③ Front channel mode
- ④ Back channel mode



**H How to playback videos**

- ① Playback video on the DVR
- ② Use HDMI to connect TV
- ③ Use USB port to connect PC as a external drive
- ④ Use a SD card reader and connect to PC

